



## Xeryon Stages Combination Guide

Xeryon stages can be combined into multi-axis configurations, offering up to 6D positioning solutions. Besides stages, Xeryon offers different mounting solutions, including:

- Product integrated mounting options
- Adapter plates
- Standard brackets, which cover a large array of configurations
- Custom brackets to fit your specific needs

In this document, you can explore the possibilities and find a setup best suited to your project's needs.

### Parallel Stage Mounting – integrated solutions & adapter plates

Some configurations don't require any brackets or adapter plates. Xeryon products feature mounting holes which cover basic "stacked" configurations such as XY, ThetaXY, XYTheta, ZTheta. **Please have a look at the "Horizontal Mounting" table**, where these configurations are indicated. If your configuration isn't covered by the standard mounting options, Xeryon can provide a standard or custom adapter plate.

### Perpendicular Stage Mounting – L brackets & T bracket

#### Standard Brackets

Xeryon offers five standard brackets (depicted below). They cover a large array of configurations. **Please have a look at the "Vertical Mounting" table**, which indicates which configurations are standardly provided, and which brackets they require.

#### Xeryon standard plates and brackets

This table gives an overview of all the standard plates and brackets Xeryon offers. See page 2 for illustrations. None meet your demand? Xeryon offers custom solutions to meet your demands. Please contact our [integration team](#) to see what Xeryon could mean for your project.

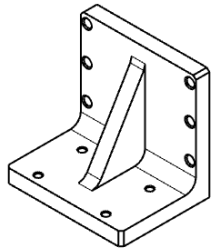
XERYON Name	[mm]		[g]
	W x D x H Dimensions	Material	
L_bracket_XYZ_S	34 x 27.1 x 34	Al	23
L_bracket_XYZ_L	35 x 44 x 48	Al	38
L_bracket_XYZ_R_S	40 x 52.95 x 55.5	Al	27
L_bracket_XYZ_R_L	50 x 67.45 x 72.2	Al	54
T_bracket	40 x 34 x 39	Al	25
XRT-U-30_to_XLS_adapter_plate	40 x 35 x 4	Al	7
XRT-U-40_to_XLS_adapter_plate	50 x 46 x 4	Al	16
Stage_to_metric_breadboard	95 x 95 x 12.7	Al	258

Last updated: Nov. 2024. All specifications are subject to change without prior notice

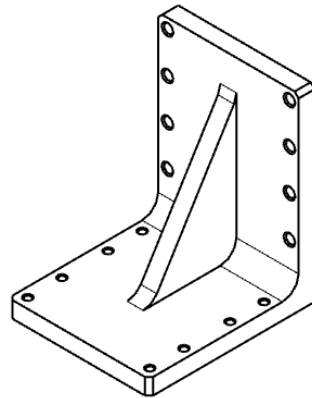
Disclaimer: The product images shown may be for illustration purposes only and may not be an exact representation of the product.

## Xeryon Standard Plates and Brackets

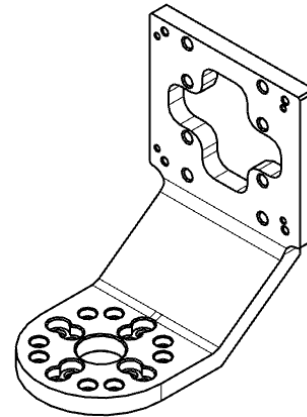
Not sure what you are looking for? Ask our [integration team](#).



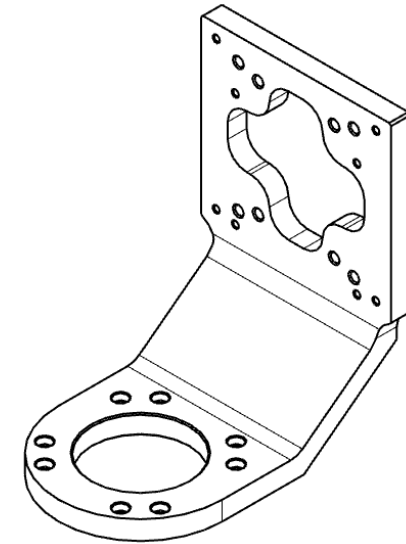
L-Bracket XYZ S



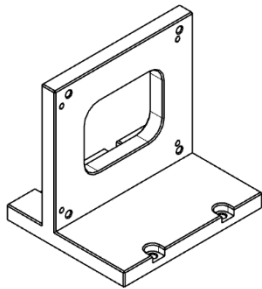
L-Bracket XYZ L



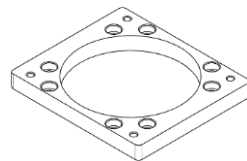
L-Bracket R S



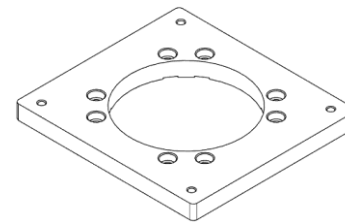
L-Bracket R L



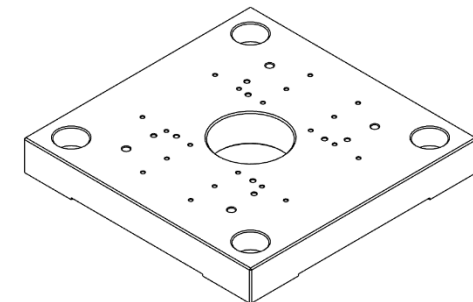
T-bracket



XRT-U-30 to XLS adapter plate



XRT-U-40 to XLS adapter plate



Stage to metric breadboard adapter plate

## Examples of Standard Configurations

Not sure what you are looking for? Ask our [integration team](#).

### *Parallel mounted stages*

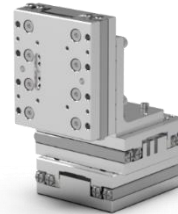


ThetaXY: an XRT-U-40 with two XLS-1-40's



XY: two XLS-3-60's

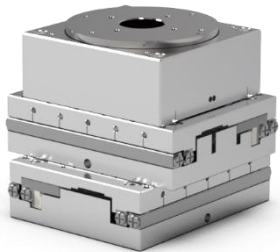
### *Perpendicular mounted stages*



XYZ: three XLS-1-40's



XYTheta: two XLS-5-40's with an XRT-U-30



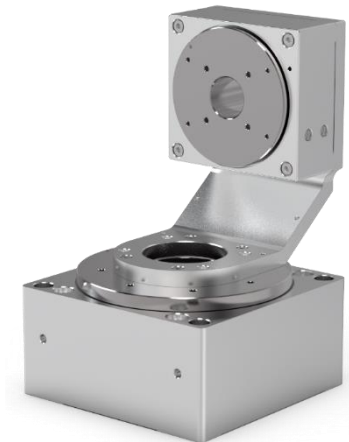
XYTheta: an XRT-U-40 on two XLS-5-60's



ZTheta: an XRT-U-40 on a XVP-80



XYZ: two XLS-5-120's with an XLS-5-60



ThetaTheta: a XRT-U-40 on an XRT-U-60

**XERYON**  
Parallel Mounting

**Top Stage**

			Top Stage						
			Linear Stages			Rotation Stages			
			XLS-1		XLS-3	XRT-U			
			30	40-80	40-120	25	30	40	60
<b>Bottom Stage</b>	<b>Vertical Lifting Platform XVP</b>		x	x	x				
	<b>Linear Stages</b>	<b>XLS-1</b>	30						
			40-80	x	x				
		<b>XLS-3</b>	40-120		x	x			
	<b>Rotation Stages</b>	<b>XRT-U</b>	25						
			30						
			40						
			60						

- = integrated mounting options
- x = integrated alignment
- = standard adapter plate required
- = custom adapter plate required
- = setup not advised

**XERYON**  
**Perpendicular Mounting**

**Top Stage**

**Linear Stages**

**Rotation Stages**

**XVS-1**

**XVS-3**

**XRT-U**

30

40

60-80

40-60

80-120



25

30

40

60

				Top Stage								
				Linear Stages				Rotation Stages				
				XVS-1			XVS-3		XRT-U			
				30	40	60-80	40-60	80-120	25	30	40	60
Bottom Stage	Linear Stages	XLS-1	30-80	XYZ S	XYZ S				RS T-bracket	RS T-bracket		
		XLS-3	40-120	XYZ L	XYZ L		XYZ L		RS T-bracket	RS T-bracket	RL	
	Rotation Stages	XRT-U	25									
			30	RS	RS				RS	RS		
			40	RS	RS		RL		RS	RS	RL	
			60		RL		RL			RL	RL	
	Vertical Lifting Platforms: XVP	80									RL	RL

 = standard configuration available with L-brackets "R S", "R L", "XYZ S", "XYZ L" or the T-bracket  
 = setup not advised, contact our sales department for any enquiries